

Maintenance:

Typical maintenance of the **UVMatrix-PCO** system is recommended replacement of the UVC Lamp(s) every two years.

UV lamps undergo a photochemical process during operation. This slowly reduces the amount of UV light generated to disinfect against airborne pathogens.

Important:

When installing new lamps, ensure that the lamp glass is free from any fingerprints or debris, as this may alter the path of the UV energy. Use rubbing alcohol and a dry cloth to remove any surface contaminants.

Replacement Lamp Log Sheet:

Included with the product is a replacement lamp log sheet. It is provided as a label so it can be attached near the installation to ensure lamp replacements are being tracked.

Replacement Lamp Part Numbers:

4" Lamp module (Provides 2 years increase HVAC efficiency)...LP-PP-0114

10" Lamp module (Provides 2 years increase HVAC efficiency)...AS-IH-1013

Warranty:

The Ultravation® **UVMatrix-PCO** series has a 10 year warranty from date of installation (minimum expected lifetime of product within normal operating conditions), with the exception of the ultraviolet lamp(s), which are warranted for a period of one year after date of installation.

This warranty does not include damage to the unit from accident, misuse or improper installation.

If this product should become defective, Ultravation will elect to replace the product free of charge. Ultravation will return replaced warranted products pre-paid to the customer, provided that the product was delivered pre-paid.

Ultravation shall have no responsibilities for charges incurred by the customer for installation or removal of warranted items. Liability is limited only to the replacement of this product.

This warranty gives you specific legal rights, and you may also have other rights, which vary from state to state. All returns must be accompanied by a return authorization number, which may be obtained by contacting Ultravation, Inc.

Ultravation, Inc.

67 Tubbs Av, Brandon, Vermont 05733

Phone: 1-866-GO-UV-AIR (468-8247) • Fax: 802-287-9203

www.ultravation.com • info@ultravation.com

Copyright © 2017-2025 Ultravation Inc.

Doc# DC-OM-PCO24 Rev 3

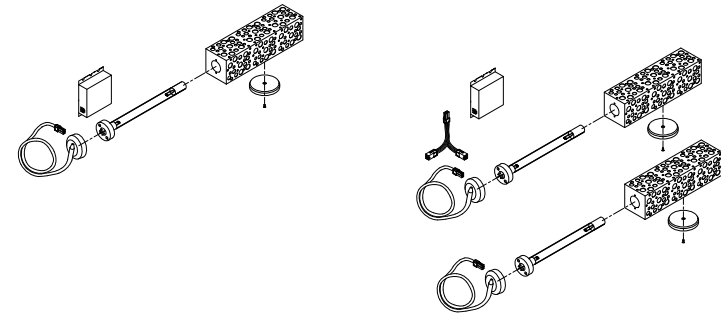


Ultravation®

Better Air | Better Water | Better Living™

UVMatrix-PCO Commercial Air Purification

Installation guide



UVMATRIX-PCO-24-4 Up to 1,200 CFM 1-3 Ton

UVMATRIX-PCO-24-10 1,200 to 3,000 CFM 3-7.5 Ton

UVMATRIX-PCO-24-2-10 3,000 to 8,000 CFM 8-20 Ton

24 VAC operation
Recommended to use a separate dedicated 40 VA
transformer(not included)

Package Contents:

- One PCO module /lamp installed.
- (2 for UVMATRIX-PCO-24-2-10 3,000 to 8,000 CFM 8-20 Ton)
- One power cord
- Four self tapping screws
- magnet (installed)
- Two wire nuts
- UVC warning label.
- Replacement lamp log sheet
- Warranty card
- Warning label
- 1 Power Supply
- 1 or 2 (24-2-10 model) 6 ft lamp lead
- 1 Y connector (24-2-10 model)

Safety Precautions:

It is recommended that this unit be installed and maintained by a trained technician.

WARNING: UV Hazard. Always protect eyes from ultraviolet light. NEVER look at UV lamps in operation. Unplug or disconnect power before re-lamping or servicing.

WARNING: Severe eye damage or temporary blindness may occur.

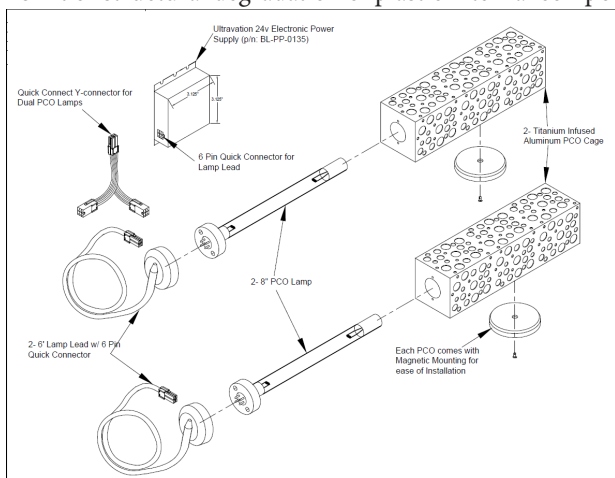
WARNING: DO NOT operate outside of air handler. Mount product in preferred location first.

WARNING: No openings should be allowed which would give direct line-of-sight to the UV light.

In the event of accidental breakage or replacement of the ultraviolet lamp, please ensure that the lamp is disposed of in accordance with local and state environmental laws regarding fluorescent lamps containing mercury.

Notice:

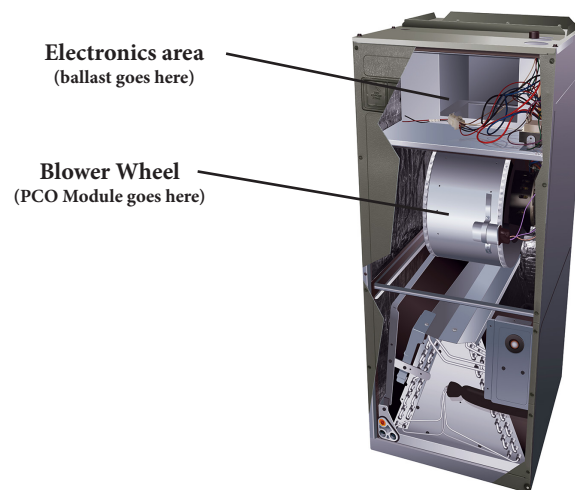
All wiring inside of the air handler in direct line of site of the UV lamp must be shielded with aluminum foil tape or equivalent non-combustible material. When installing this unit, select a mounting location that prevents ultraviolet light exposure to synthetic or other plastic components with unknown resistance to ultraviolet light. Ultraviolet light may cause color shift or structural degradation of plastic internal components.



Installation Steps:

TURN OFF /DISCONNECT POWER

1. Determine a suitable location to install the module. Typically this is the blower wheel housing for the PCO Module(s).
2. Route the 6 ft. lamp lead cables to the electronics enclosure area (recommended) or a suitable location permissible per local electrical codes.
3. Install a dedicated 40 VA 24 VAC transformer per applicable local and state electrical codes, not included. Or use optional 120v wall plug accessory sold separately (Part number 94-135)
4. Connect supplied 6 foot 2 conductor AC power cord to transformer (polarity does not matter).
5. Ensure the lamp connector cable(s) are firmly connected to the PCO Module and plugged into the ballast 6 pin port (2 lamp models utilize a "Y" connector for both cables and the "Y" plugs into the 6 pin port).
6. Plug the 2 wire power connector into the ballast.
7. Apply power briefly to determine operation of the module (blue glow, do not look directly at the UVC lamp with out proper eye protection).
8. Affix all warning and lamp replacement labels as well as the UVC viewport in a clear and logical location for quick inspection of the UVC system.
9. Replace any service panels, reconnect system power.
10. Ensure the system is operating by noting the blue glow within the viewport.



Note: Typical installation locations are after filtration and before any branching off into the living area.