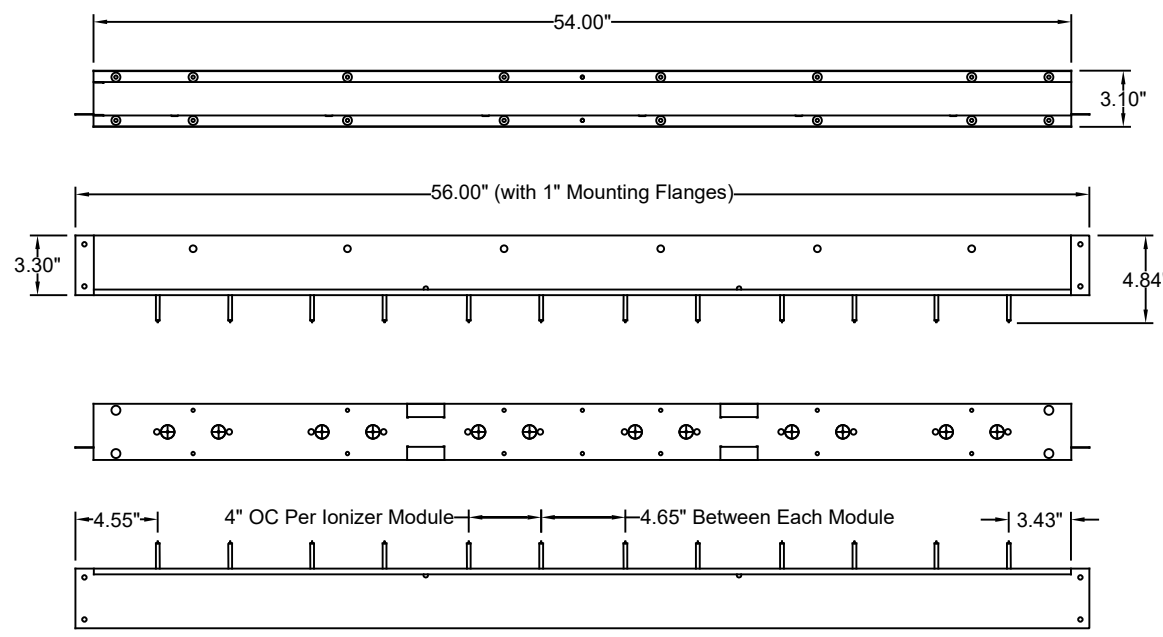
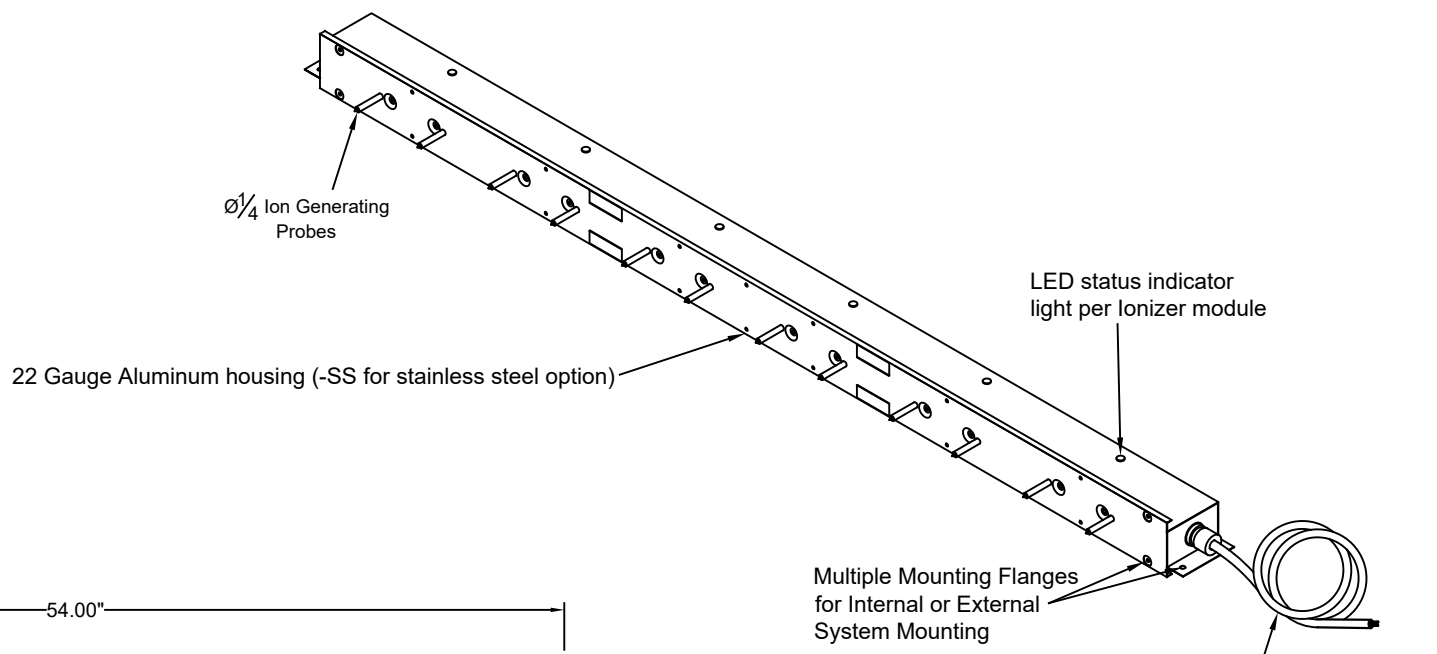


Specifications

Input Voltage: 24 VAC (Supplied with Multi-tap Transformer)
Power Consumption: 36 Va
Total Ion Output: > 1.92 Billion +/- Ions/cc
Needle Point Count: 12 Total, 6 Positive / 6 Negative
Ionizer Module Replacement Part #: 94-018

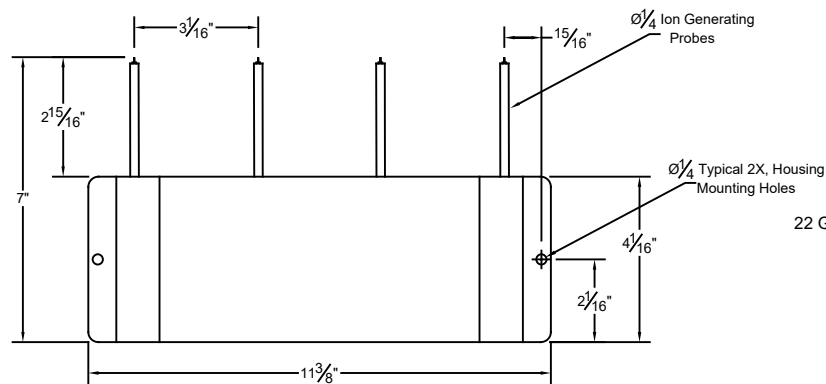
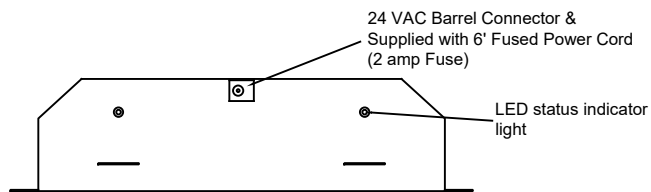


Ultravation, Inc.
 212 Ideal Way
 Poultney, Vermont 05764
 Ph: 802-287-9735
 Fx: 802-287-9203
 www.Ultravation.com

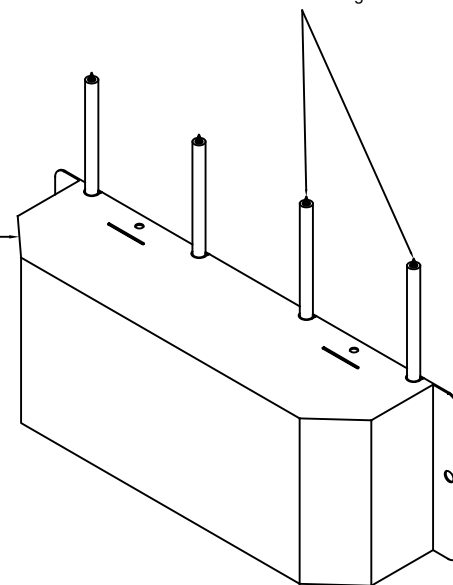
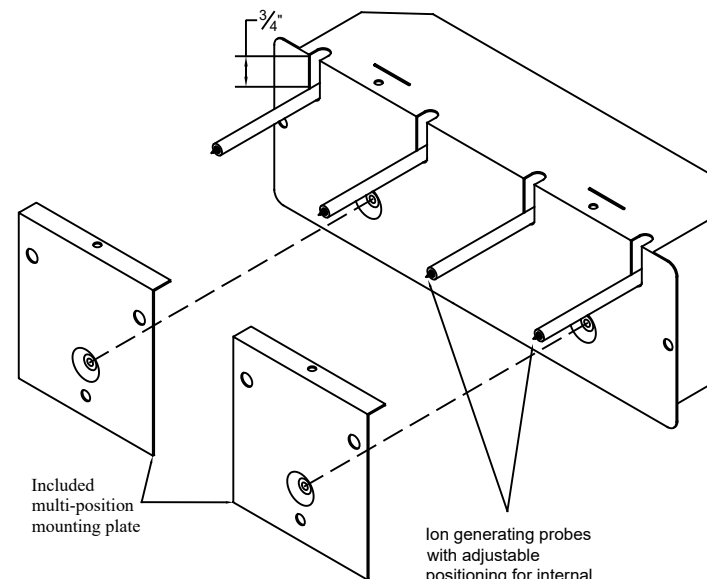
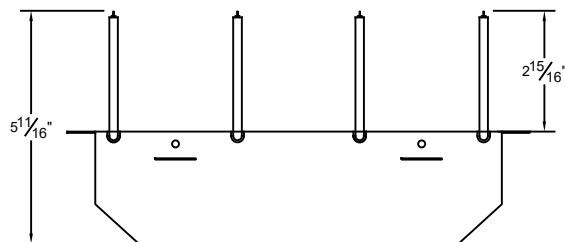
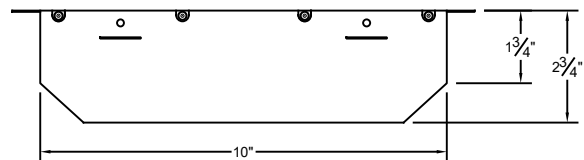
Part #: CIS36	Drawing #: UVM-CIS36-DSS	Rev -*
Description: UVMatrix CIS 36 with 12 needle point bipolar ionization system. 24 VAC with a supplied multi-tap transformer. Internal or External mounting for systems 30 to 36 ton.		
Date: 2/12/21	Scale: NTS	Creator: JSM

Specifications

Input Voltage: 24 VAC (Supplied with Multi-tap Transformer)
Power Consumption: 12 Va
Total Ion Output: > 640 Million +/- Ions/cc
Needle Point Count: 4 Total, 2 Positive / 2 Negative



22 Gauge Galvanized Steel housing (-SS for stainless steel option)



Ultravation, Inc.

212 Ideal Way
 Poultney, Vermont 05764
 Ph: 802-287-9735
 Fx: 802-287-9203
www.Ultravation.com

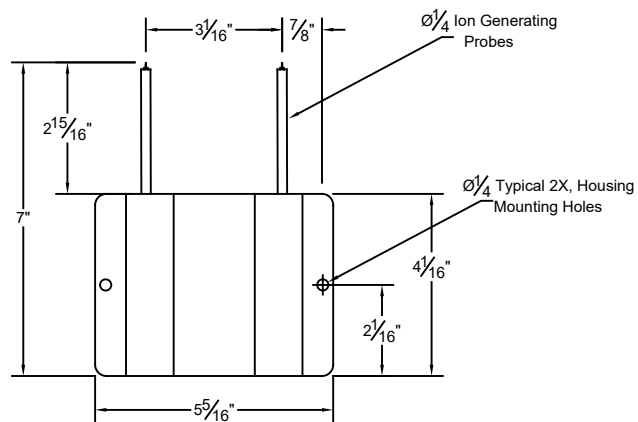
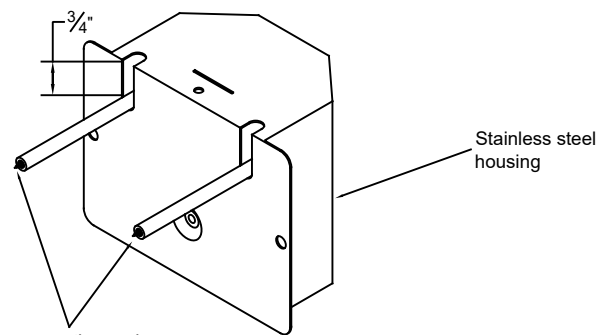
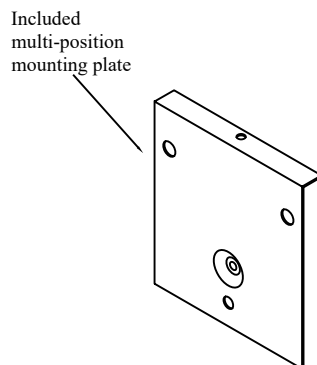
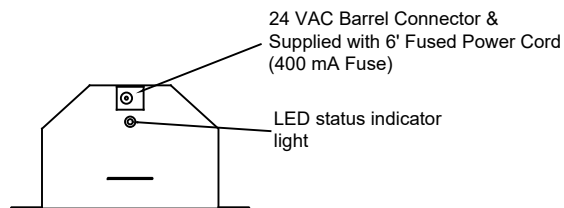
Part #: CIS12	Drawing #: UVM-CIS12-DSS	Rev -*
---------------	--------------------------	--------

Description: UVMMatrix CIS 12 with 4 needle point bipolar ionization system. 24 VAC with a supplied multi-tap transformer, Internal or External mounting for systems 6 to 12 ton.

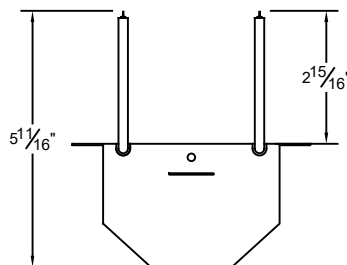
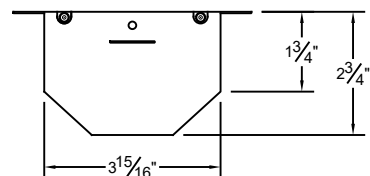
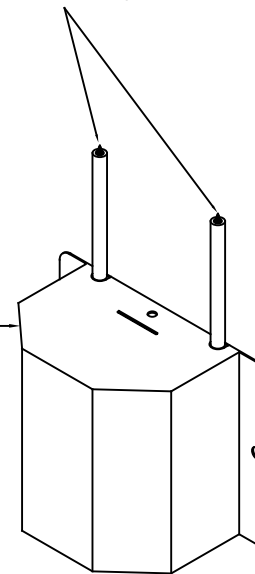
Date: 2/12/21	Scale: NTS	Creator: JSM
---------------	------------	--------------

Specifications

Input Voltage: 24 VAC (Supplied with Multi-tap Transformer)
Power Consumption: 6 Va
Total Ion Output: > 320 Million +/- Ions/cc
Needle Point Count: 2 Total, 1 Positive / 1 Negative



22 Gauge Galvanized Steel housing (-SS for stainless steel option)



Ultravation, Inc.

212 Ideal Way
 Poultney, Vermont 05764
 Ph: 802-287-9735
 Fx: 802-287-9203
 www.Ultravation.com

Part #: CIS6 | Drawing #: UVM-CIS6-DSS | Rev -*

Description: UVMMatrix CIS 6 with 2 needle point bipolar ionization system. 24 VAC with a supplied multi-tap transformer. Internal or External mounting for systems 3 to 6 ton.

Date: 5/15/20 | Scale: NTS | Creator: JSM