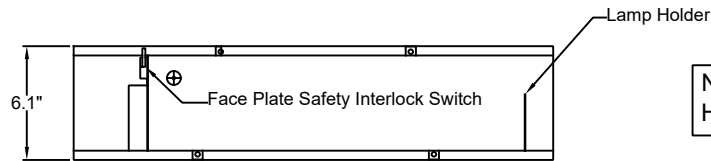
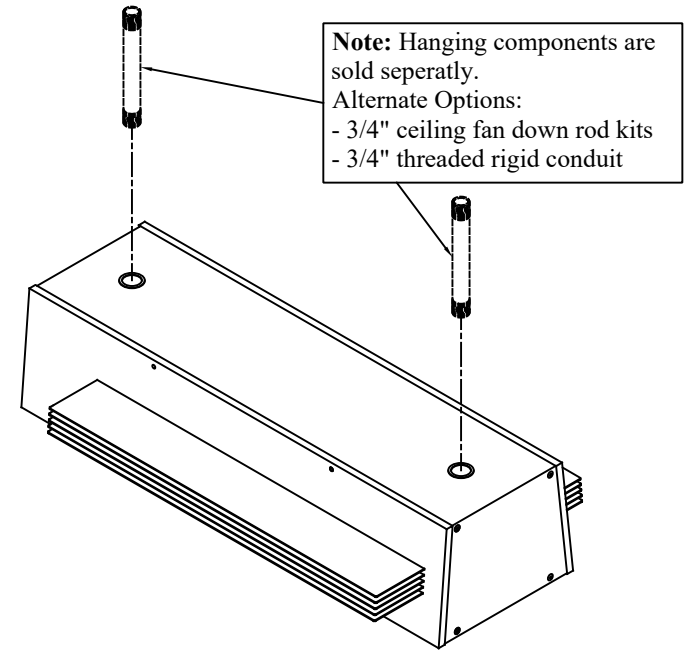
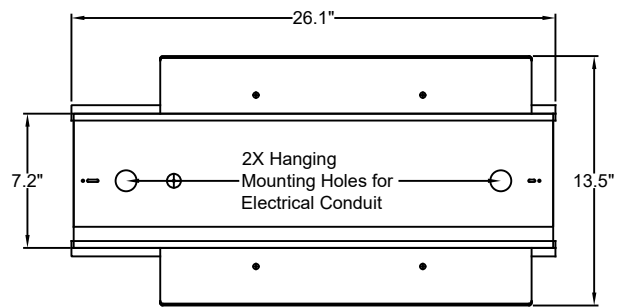
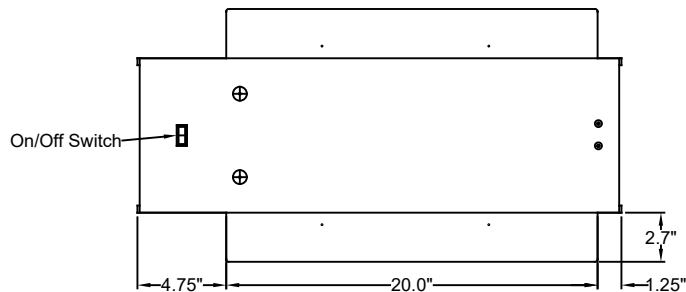
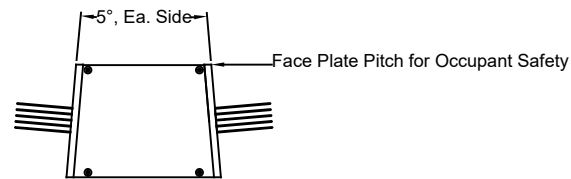
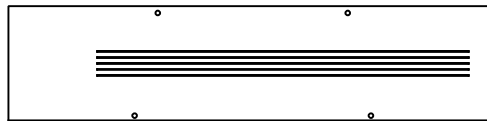
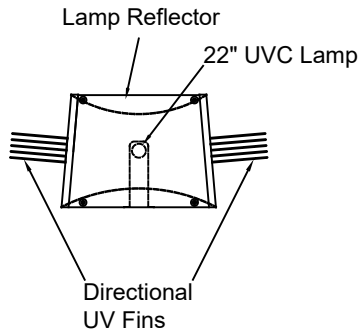


# Specifications

Housing Material: Powder Coated Galvanized Steel
Input Power: 120 VAC 60 Hz.
Power Consumption: 28 Va.
Total UV Output: 10 UVC Watts @ 254 nm
Number of Lamps: 1 - 22" UVC (AS-IH-1015, No Ozone production)
Electrical Connections: Multiple 1/2" & 3/4" Knockouts



**Note:** Minimum Installation Height of 7' to Bottom of Fixture



**Ultravation, Inc.** Part #: UVMatrix FS-22-CR Drawing #: FS22CR-DSS Rev - B

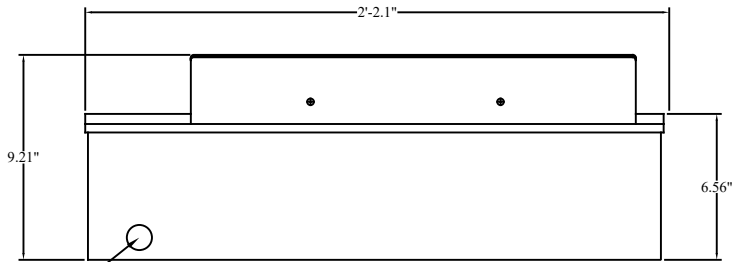
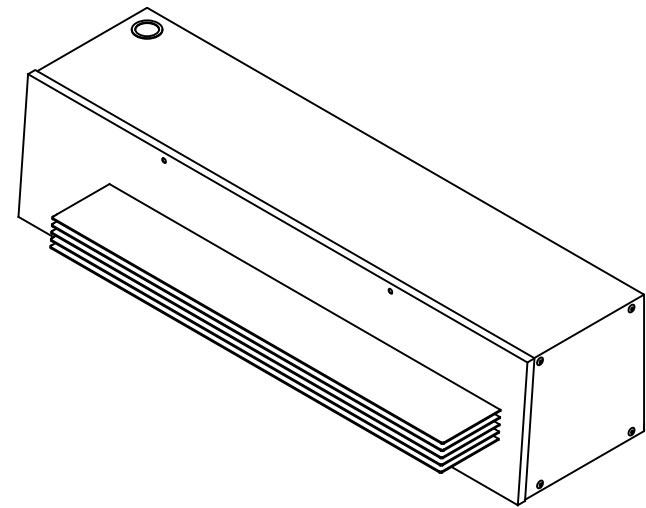
212 Ideal Way.  
 Poultney, Vermont 05764.  
 Ph: 802-287-9735  
 Fx: 802-287-9203  
 www.Ultravation.com

Description:  
 BioGard Series UVMatrix FS-22-CR Upper Room UVC, Center of room installation with 1- 22" Germicidal Lamp with Area Coverage of 450 ft<sup>2</sup> at maximum dimensions of 15' Wide x 30' Deep

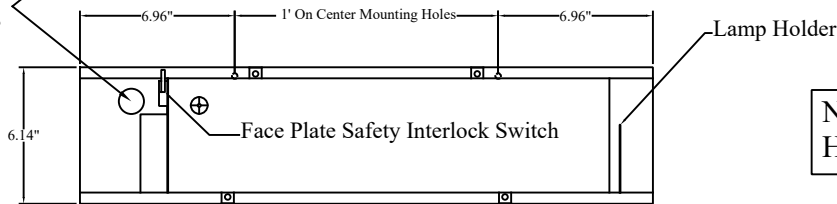
Date: 1/5/21 Scale: Creator: JSM

# Specifications

Housing Material: Powder Coated Galvanized Steel
Input Power: 120 VAC 60 Hz.
Power Consumption: 28 Va.
Total UV Output: 10 UVC Watts @ 254 nm
Number of Lamps: 1 - 22" UVC (AS-IH-1015, No Ozone production)
Electrical Connections: Multiple 1/2" & 3/4" Knockouts



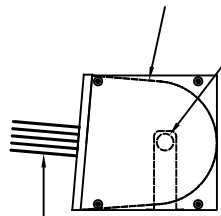
Electrical Connections



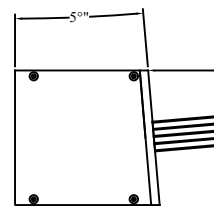
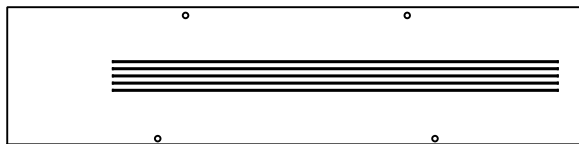
Note: Minimum Installation Height of 7' to Bottom of Fixture

Lamp Reflector

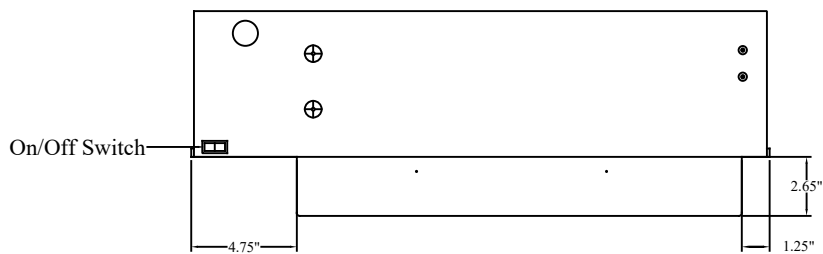
22" UVC Lamp



Directional UV Fins



Face Plate Pitch for Occupant Safety



On/Off Switch

## Ultravation, Inc.

212 Ideal Way.  
 Poultney, Vermont 05764.  
 Ph: 802-287-9735  
 Fx: 802-287-9203  
 www.Ultravation.com

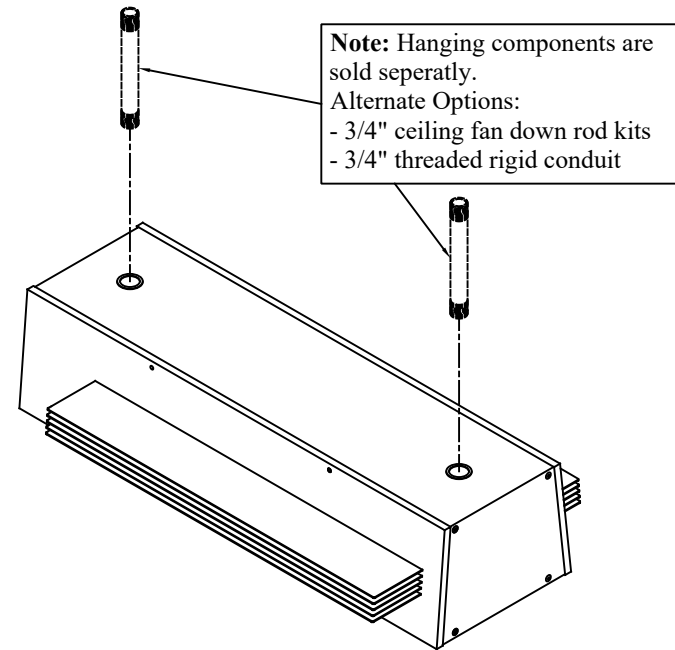
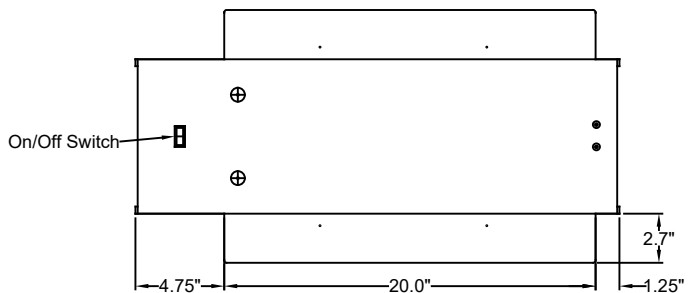
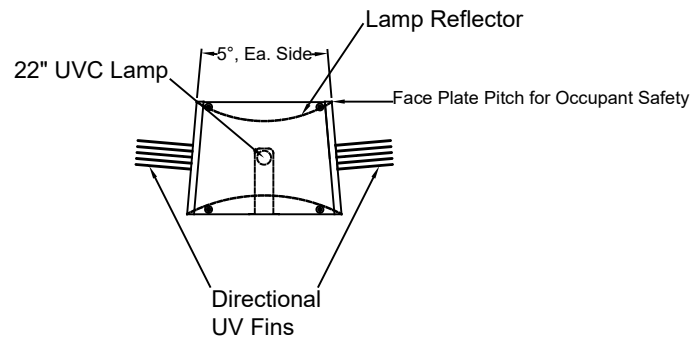
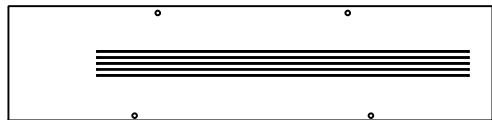
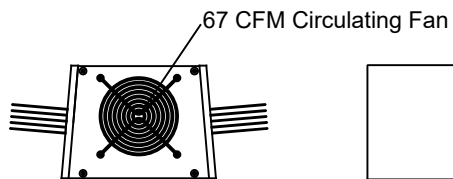
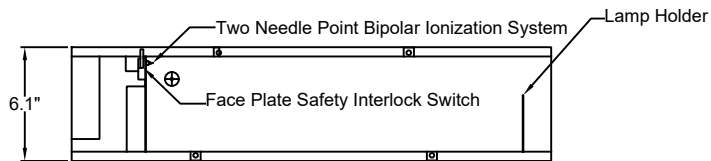
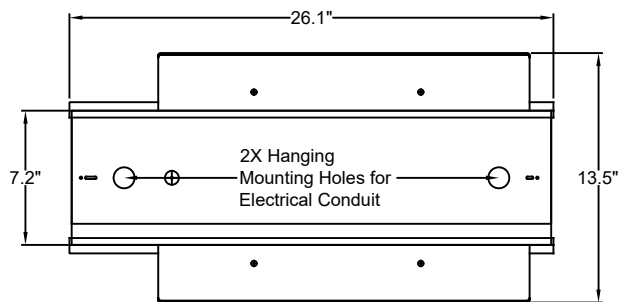
Part #: UVMatrix FS-22	Drawing #: FS22-DSS	Rev - B
------------------------	---------------------	---------

Description:  
 BioGard Series UVMatrix FS-22 Upper Room UVC,  
 1- 22" Germicidal Lamp with Area Coverage of 225 ft<sup>2</sup> at  
 maximum dimensions of 15' Wide x 15' Deep

Date: 1/5/21	Scale:	Creator: JSM
--------------	--------	--------------

# Specifications

Housing Material: Powder Coated Galvanized Steel
Input Power: 120 VAC 60 Hz.
Power Consumption: 36.5 Va.
Total UV Output: 10 UVC Watts @ 254 nm
Number of Lamps: 1 - 22" UVC (AS-IH-1015, No Ozone production)
Electrical Connections: Multiple 1/2" & 3/4" Knockouts
Air Flow: 67 CFM
Total Ion Output: > 50 Million +/- Ions/cc



Note: Minimum Installation Height of 7' to Bottom of Fixture

## Ultravation, Inc.

212 Ideal Way.  
Poultney, Vermont 05764.  
Ph: 802-287-9735  
Fx: 802-287-9203  
www.Ultravation.com

Part #: UVMatrix FS-22F-CR | Drawing #: FS22FCR-DSS | Rev - A

Description: BioGard Series UVMatrix FS-22F-CR Upper Room UVC and Bipolar Ionization with 67 CFM fan for increased room circulation, Center of room installation with 1-22" Germicidal Lamp for Area Coverage of 450 ft<sup>2</sup> at maximum dimensions of 15' wide x 30' deep.

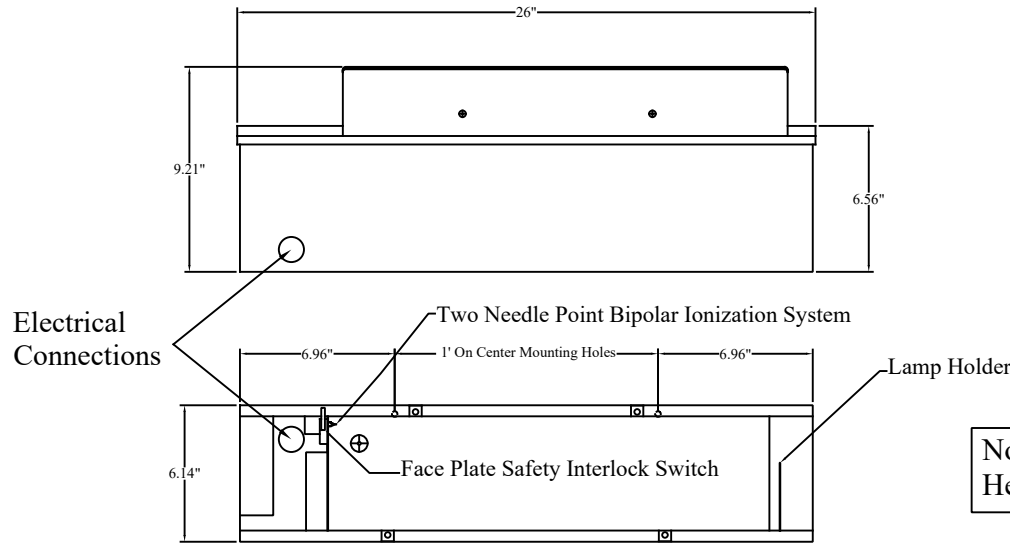
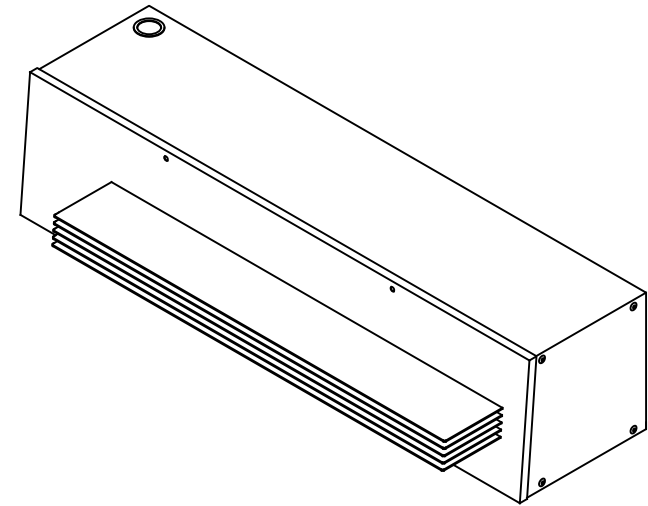
Date: 1/5/21

Scale:

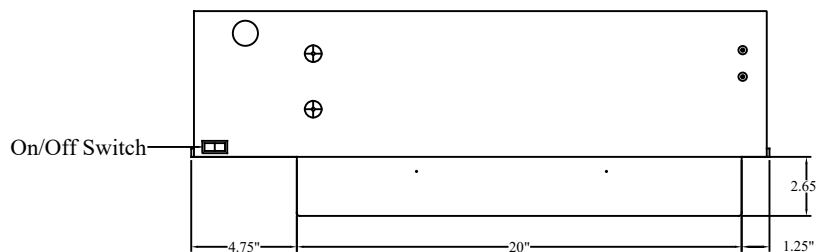
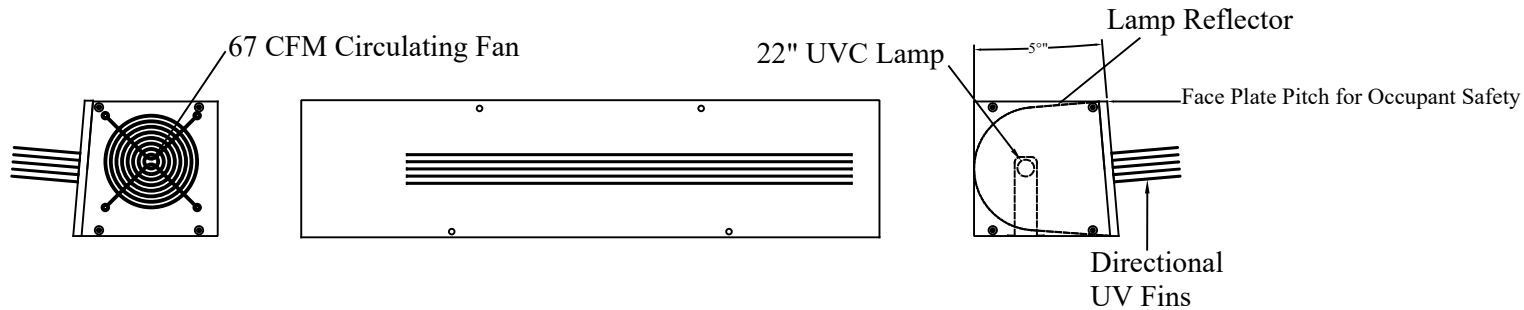
Creator: JSM

# Specifications

Housing Material: Powder Coated Galvanized Steel
Input Power: 120 VAC 60 Hz.
Power Consumption: 36.5 Va.
Total UV Output: 10 UVC Watts @ 254 nm
Number of Lamps: 1 - 22" UVC (AS-IH-1015, No Ozone production)
Electrical Connections: Multiple 1/2" & 3/4" Knockouts
Air Flow: 67 CFM
Total Ion Output: > 50 Million +/- Ions/cc



Note: Minimum Installation Height of 7' to Bottom of Fixture



**Ultravation, Inc.**  
 212 Ideal Way.  
 Poultney, Vermont 05764.  
 Ph: 802-287-9735  
 Fx: 802-287-9203  
 www.Ultravation.com

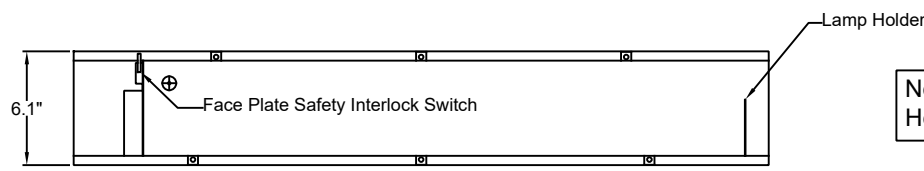
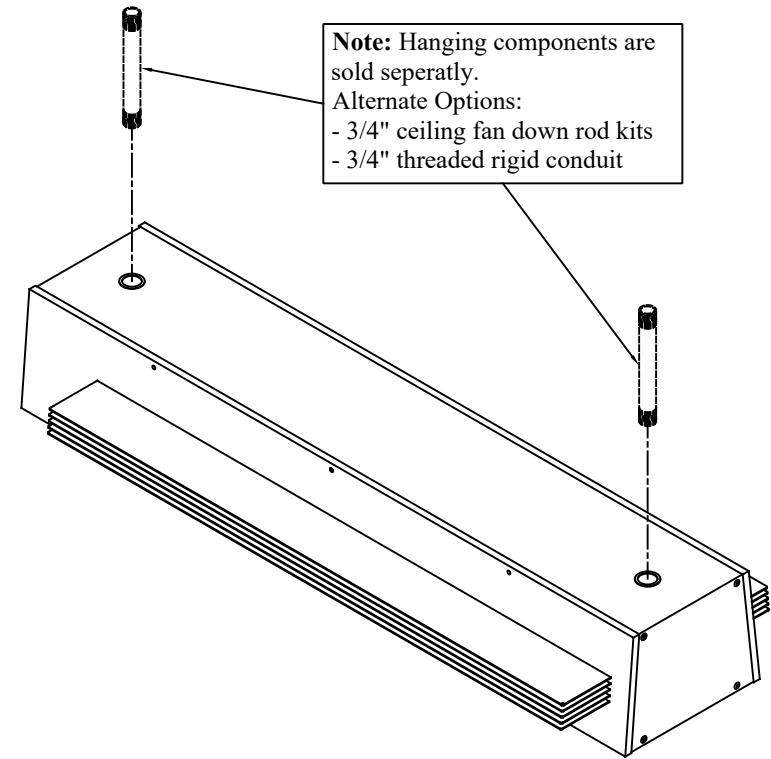
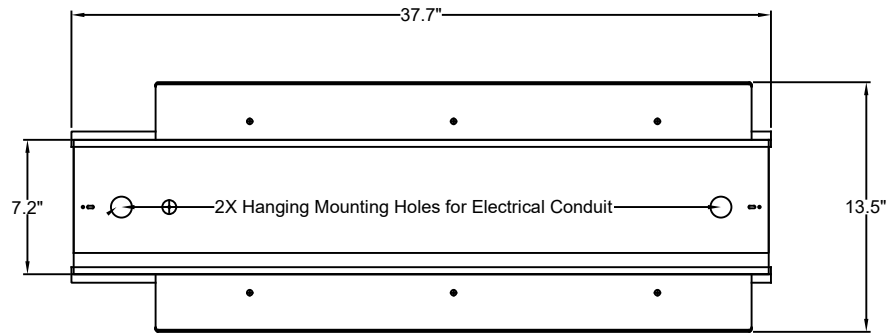
Part #: UVMatrix FS-22F	Drawing #: FS22F-DSS	Rev - A
-------------------------	----------------------	---------

Description: BioGard Series UVMatrix FS-22F Upper Room UVC and Bipolar Ionization with 67 CFM fan for increased room circulation, Wall Mount installation with 1-22" Germicidal Lamp for Area Coverage of 225 ft<sup>2</sup> at maximum dimensions of 15' wide x 15' deep.

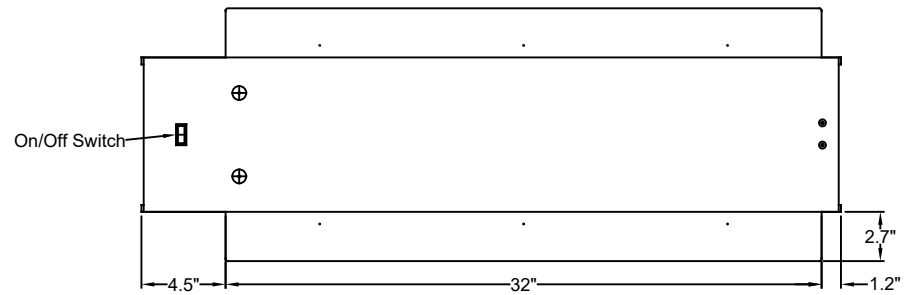
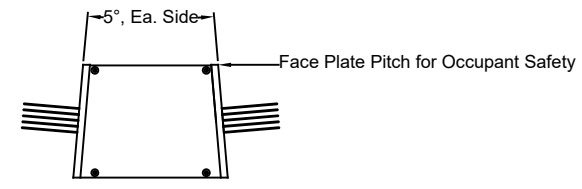
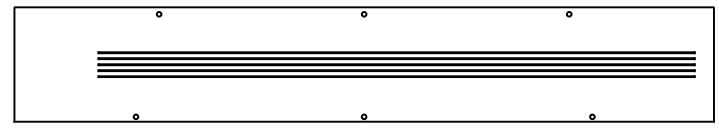
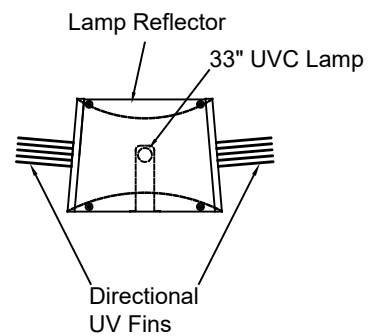
Date: 1/5/21	Scale:	Creator: JSM
--------------	--------	--------------

# Specifications

Housing Material: Powder Coated Galvanized Steel
Input Power: 120 VAC 60 Hz.
Power Consumption: 36 Va.
Total UV Output: 16 UVC Watts @ 254 nm
Number of Lamps: 1 - 33" UVC (AS-IH-0614, No Ozone production)
Electrical Connections: Multiple 1/2" & 3/4" Knockouts



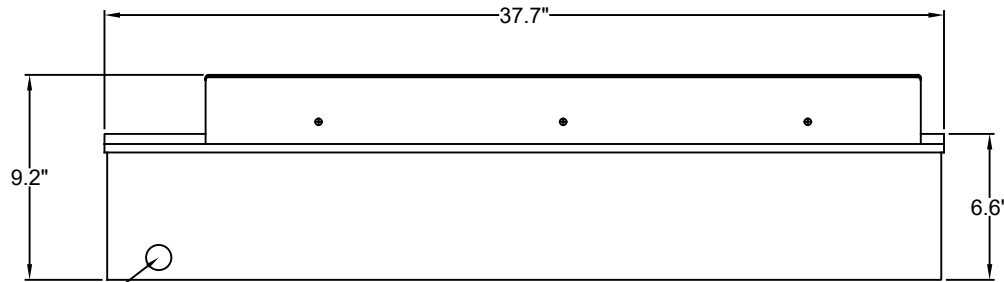
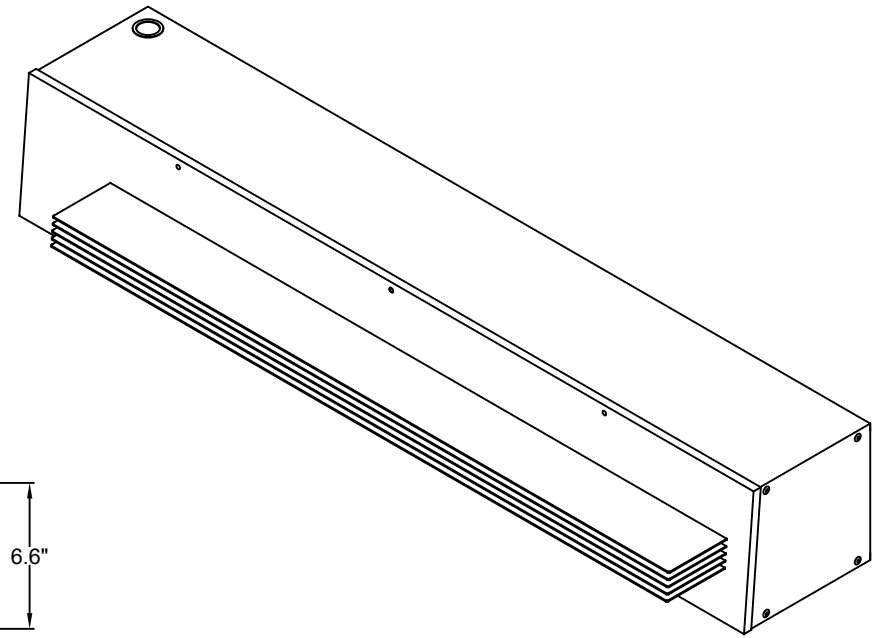
Note: Minimum Installation Height of 7' to Bottom of Fixture



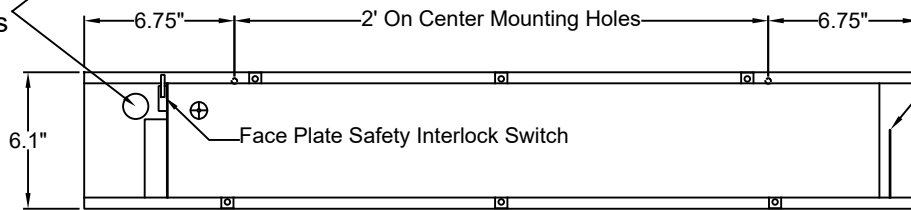
<b>Ultravation, Inc.</b> 212 Ideal Way. Poultney, Vermont 05764. Ph: 802-287-9735 Fx: 802-287-9203 www.Ultravation.com	Part #: UVMatrix FS-33-CR	Drawing #: FS33CR-DSS	Rev - B
	Description: BioGard Series UVMatrix FS-33-CR Upper Room UVC, Center of room installation with 1- 33" Germicidal Lamp with Area Coverage of 700 ft <sup>2</sup> at maximum dimensions of 16' Wide x 44' Deep		
Date: 1/5/21	Scale:	Creator: JSM	

# Specifications

Housing Material: Powder Coated Galvanized Steel
Input Power: 120 VAC 60 Hz.
Power Consumption: 36 Va.
Total UV Output: 16 UVC Watts @ 254 nm
Number of Lamps: 1 - 33" UVC (AS-IH-0614, No Ozone production)
Electrical Connections: Multiple 1/2" & 3/4" Knockouts



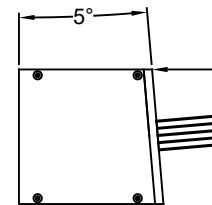
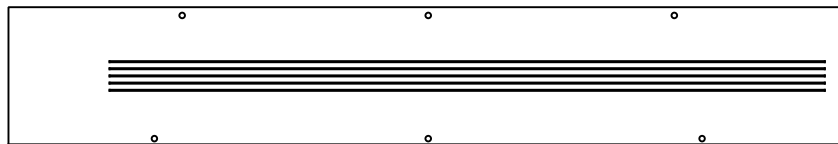
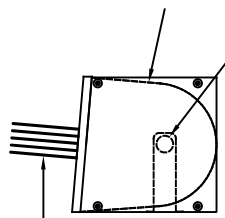
Electrical Connections



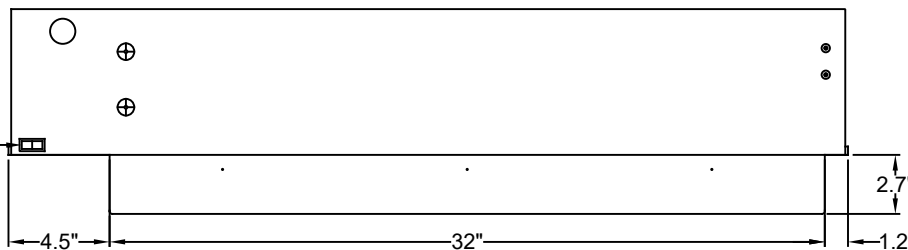
Note: Minimum Installation Height of 7' to Bottom of Fixture

Lamp Reflector

33" UVC Lamp



On/Off Switch



**Ultravation, Inc.**

212 Ideal Way.  
 Poultney, Vermont 05764.  
 Ph: 802-287-9735  
 Fx: 802-287-9203  
 www.Ultravation.com

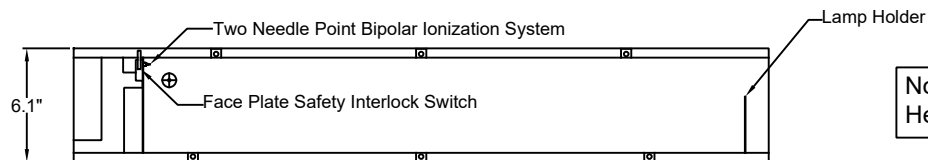
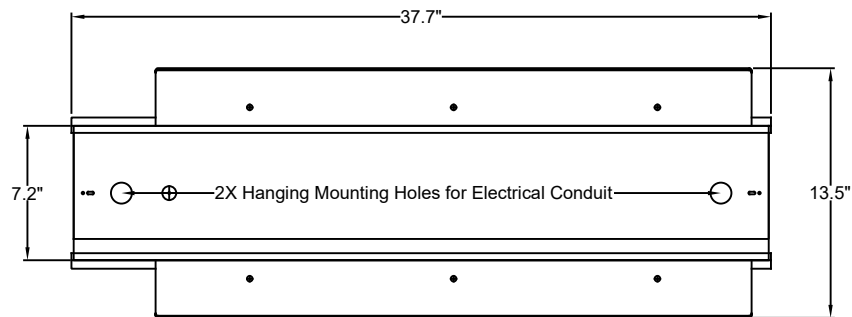
Part #UVMatrix FS-33	Drawing #: FS33-DSS	Rev - B
----------------------	---------------------	---------

Description:  
 BioGard Series UVMatrix FS-33 Upper Room UVC,  
 1- 33" Germicidal Lamp with Area Coverage of 350 ft<sup>2</sup> at  
 maximum dimensions of 16' Wide x 22' Deep

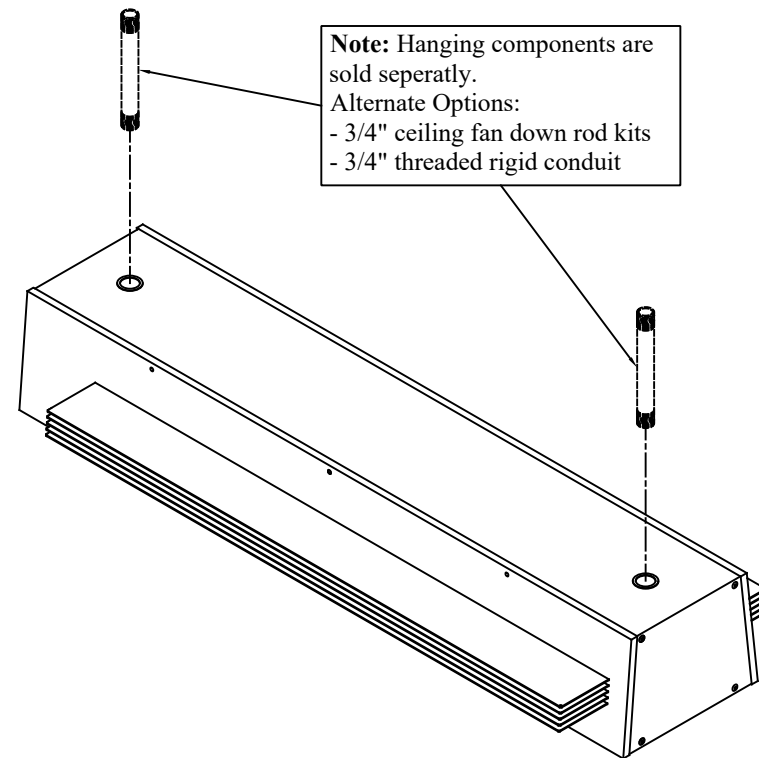
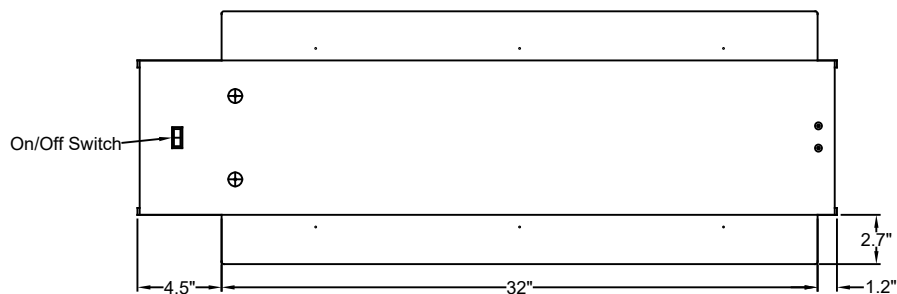
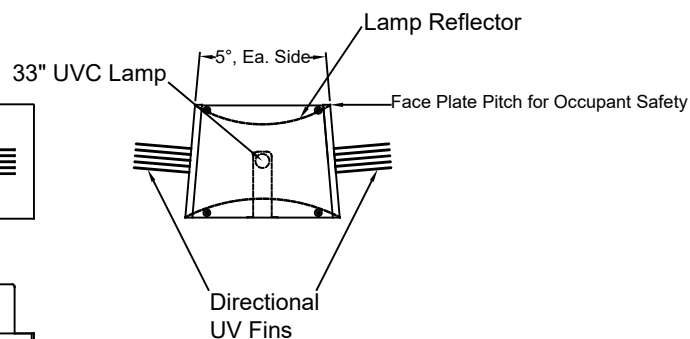
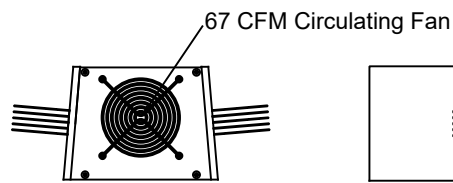
Date: 1/5/21	Scale:	Creator: JSM
--------------	--------	--------------

# Specifications

Housing Material: Powder Coated Galvanized Steel
Input Power: 120 VAC 60 Hz.
Power Consumption: 44.5 Va.
Total UV Output: 16 UVC Watts @ 254 nm
Number of Lamps: 1 - 33" UVC (AS-IH-0614, No Ozone production)
Electrical Connections: Multiple 1/2" & 3/4" Knockouts
Air Flow: 67 CFM
Total Ion Output: > 50 Million +/- Ions/cc



Note: Minimum Installation Height of 7' to Bottom of Fixture



## Ultravation, Inc.

212 Ideal Way.  
Poultney, Vermont 05764.  
Ph: 802-287-9735  
Fx: 802-287-9203  
www.Ultravation.com

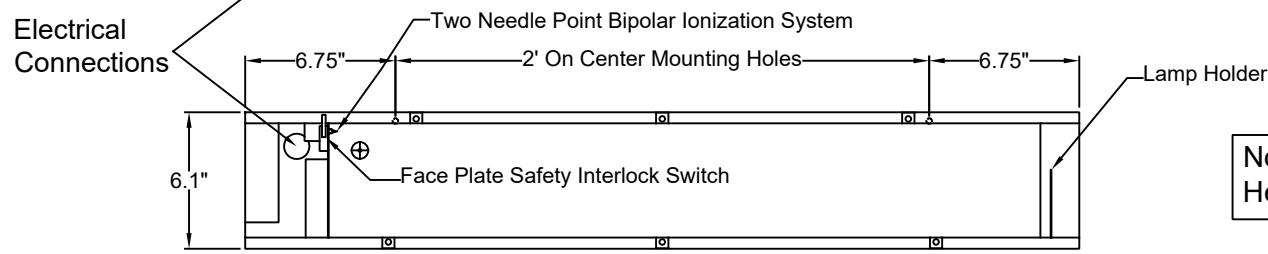
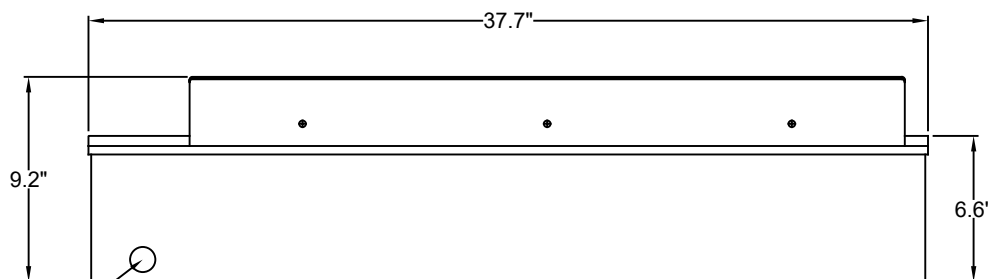
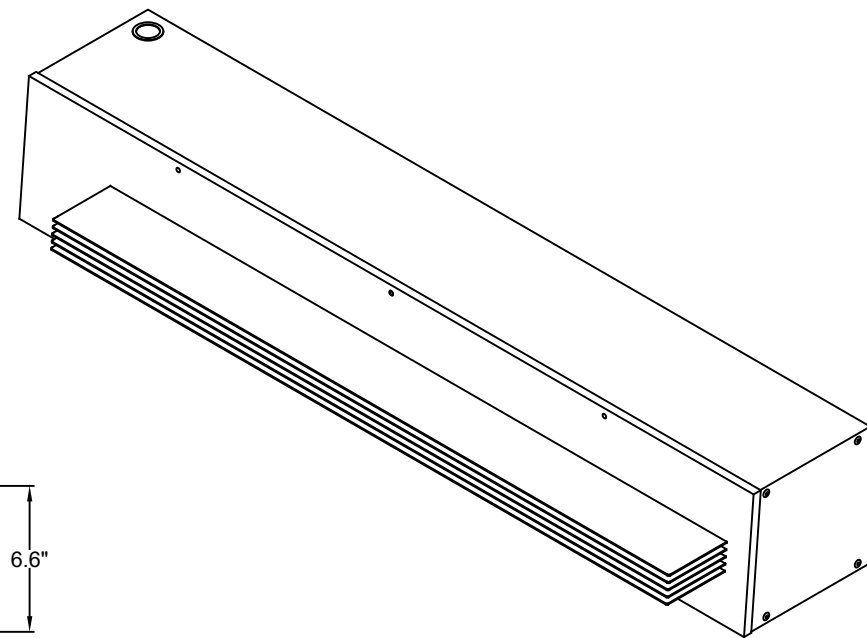
Part #: UVMatrix FS-33F-CR | Drawing #: FS33FCR-DSS | Rev - A

Description: BioGard Series UVMatrix FS-33F-CR Upper Room UVC and Bipolar Ionization with 67 CFM fan for increased room circulation, Center of room installation with 1-33" Germicidal Lamp for Area Coverage of 700 ft<sup>2</sup> at maximum dimensions of 16' wide x 44' deep.

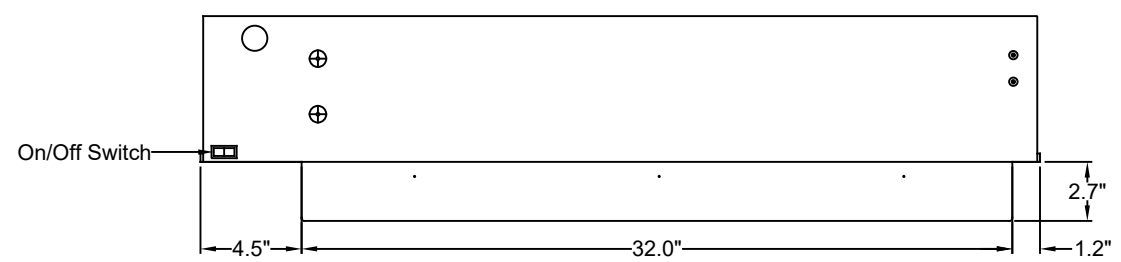
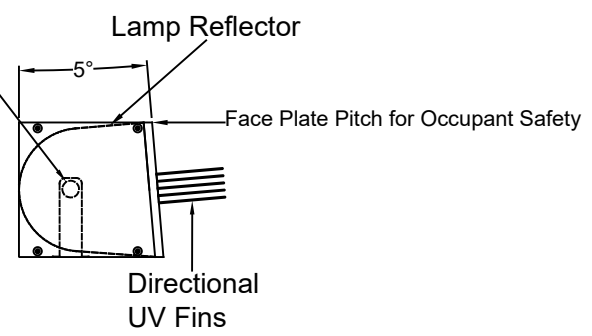
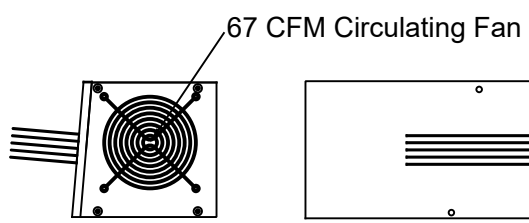
Date: 1/5/21 | Scale: | Creator: JSM

# Specifications

Housing Material: Powder Coated Galvanized Steel
Input Power: 120 VAC 60 Hz.
Power Consumption: 44.5 Va.
Total UV Output: 16 UVC Watts @ 254 nm
Number of Lamps: 1 - 33" UVC (AS-IH-0614, No Ozone production)
Electrical Connections: Multiple 1/2" & 3/4" Knockouts
Air Flow: 67 CFM
Total Ion Output: > 50 Million +/- Ions/cc



Note: Minimum Installation Height of 7' to Bottom of Fixture



<b>Ultravation, Inc.</b> 212 Ideal Way. Poultney, Vermont 05764. Ph: 802-287-9735 Fx: 802-287-9203 www.Ultravation.com	Part #UVMatrix FS-33F	Drawing #: FS33F-DSS	Rev - A
	Description: BioGard Series UVMatrix FS-33F Upper Room UVC and Bipolar Ionization with 67 CFM fan for increased room circulation, Wall Mount installation with 1-33" Germicidal Lamp for Area Coverage of 350 ft <sup>2</sup> at maximum dimensions of 16' wide x 22' deep.		
Date: 1/5/21	Scale:	Creator: JSM	