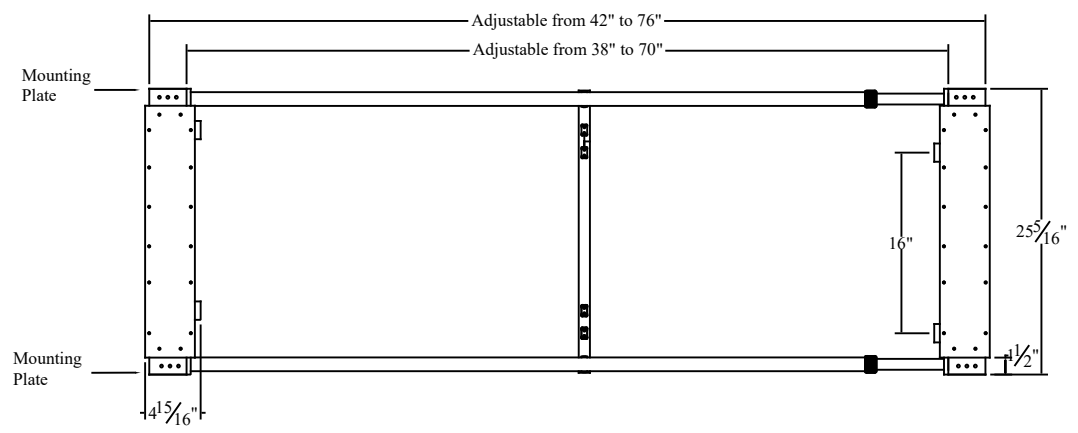
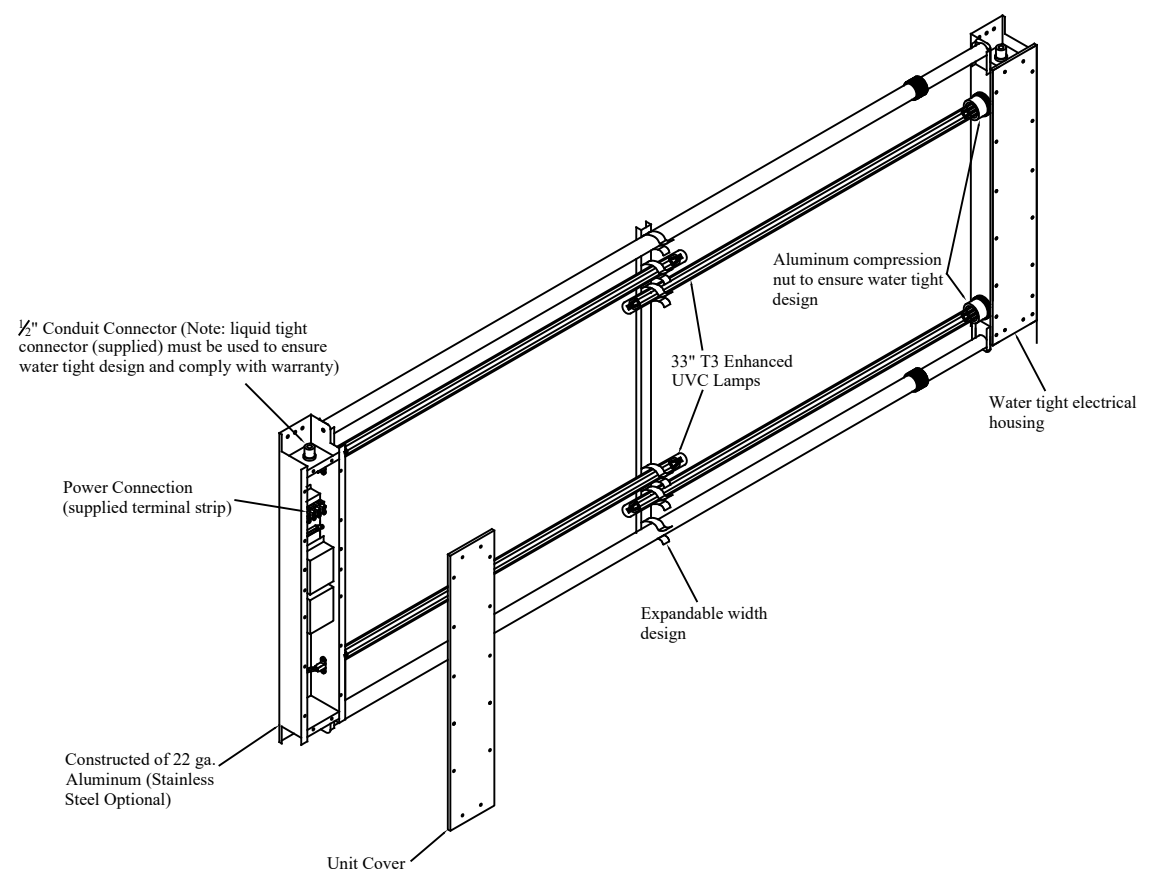


Specifications

Material: 22 ga. Domestic Aluminum (22 ga. Stainless Steel available)
Lamps: 4- 33" UVC lamps (Quartz sleeve for max thermal optimization)
Power Supply: 120-277v Outdoor Rated Electronic power supply
Power Consumption: 144 Watts
Electrical Housing: Water Tight Design
Note: Mounting hardware supplied



Ultravation, Inc. 212 Ideal Way Poultney, Vermont 05764 Ph: 802-287-9735 Fx: 802-287-9203 www.Ultravation.com	Part #: UV Matrix SI-4/G36-16	Drawing #: SI4-3616-DSS	Rev -*
	Description: UVMatrix SI with 4 33" UVC lamps. Expandable width design. Water tight electrical housing. Power supply is auto sensing 120-277VAC		
Date: 5/19/09	Scale:	Creator: JSM	