

Specifications

Material: 22 ga. Aluminum (22 ga. Stainless Steel available)

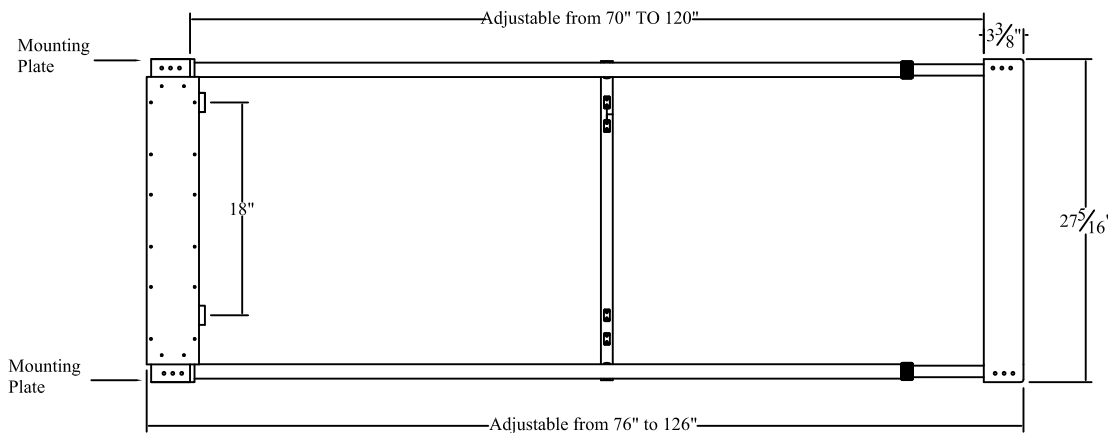
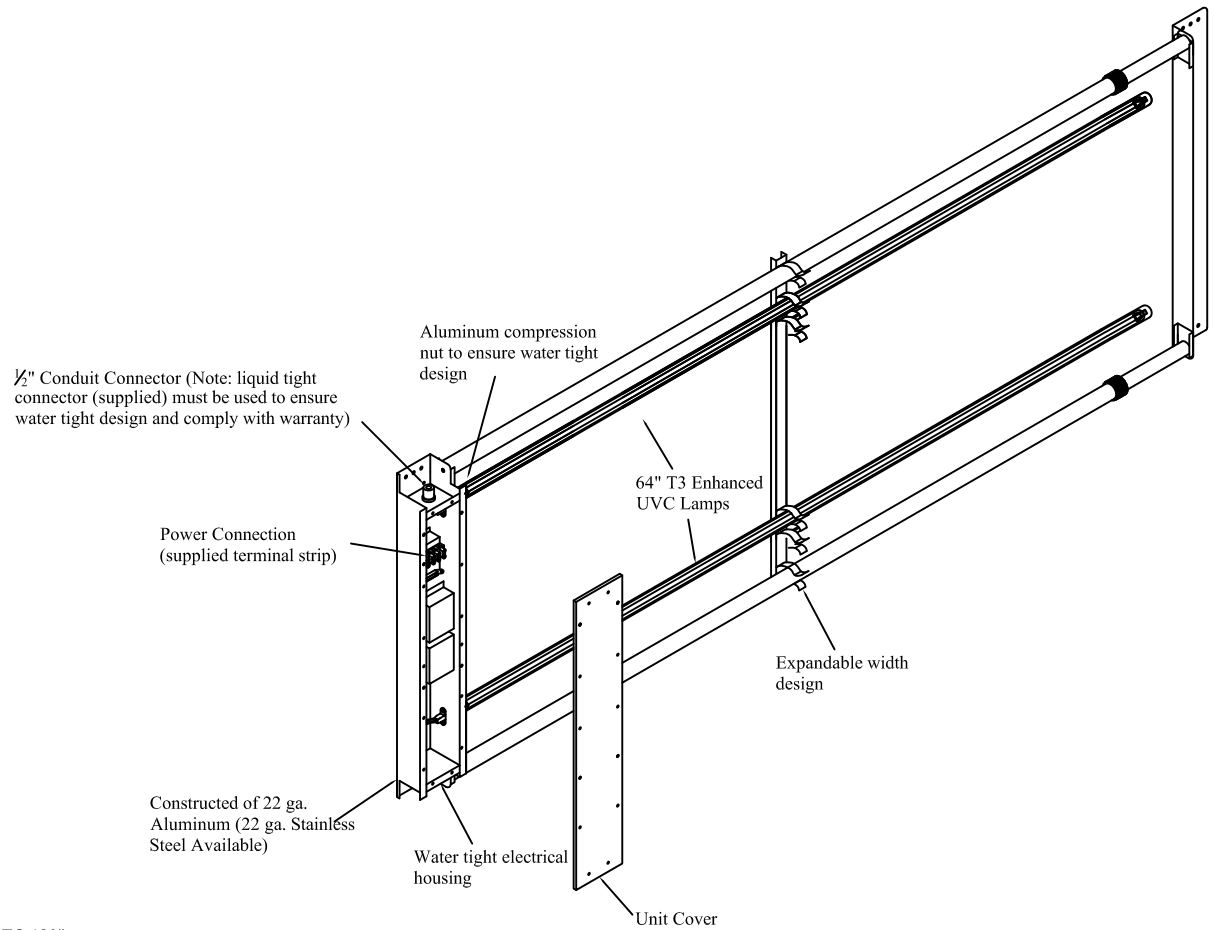
Lamps: 2- 64" UVC lamps (Quartz sleeve for max thermal optimization)

Power Supply: 120v Outdoor Rated Electronic power supply

Power Consumption: 150 W

Electrical Housing: Water Tight Design

Note: Mounting hardware supplied



Ultravation, Inc.

67 Tubbs Ave
 Brandon, Vermont 05733
 Ph: 866-468-8247
 Fx: 802-287-9203
 www.Ultravation.com

Part #: UV Matrix SI-2S/G64-18	Drawing #: DC-IH-5551	Rev -*
Description: UVMatrix SI with 2 64" UVC lamps. Expandable width design. Water tight electrical housing		
Date: 8/11/23	Scale: NTS	Creator: JSM